

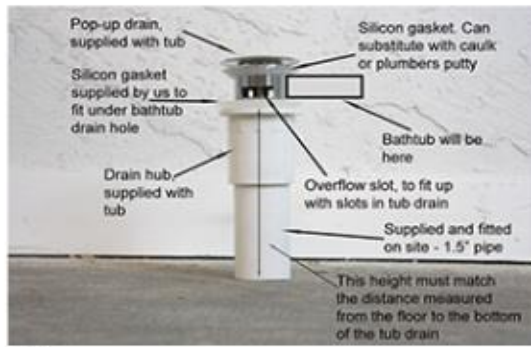


[www.ICSqualitybaths.com](http://www.ICSqualitybaths.com)

This easy install should only be used if the stub out drain pipe can travel up to contact tub bottom.

If pipe is stuck to concrete or is tied to a joist and cannot travel, gasket will not tighten against tub bottom.

**Drain installation for one piece stone resin and one piece acrylic bathtubs**



Putty works better than gasket on tub.

**Helpful Hints ;**

**Most likely drain height will vary if tub is moved!**

**Set tub in place & adjust feet / legs under tub, before measuring for hub height.**

**Few tile floors are flat.**

**Placing silicone on the bottom of adjustable feet / legs will prevent tub from sliding around.**

**Step 1**



Measure height from floor to this point under the bathtub drain hole. This will determine the height from the floor to the top flange of the hub supplied

**Step 2**

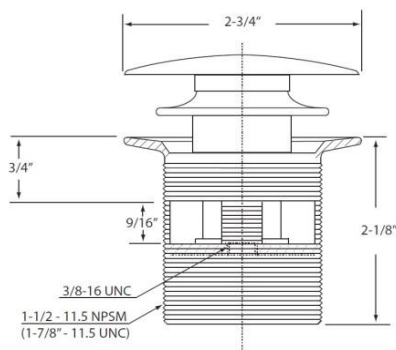
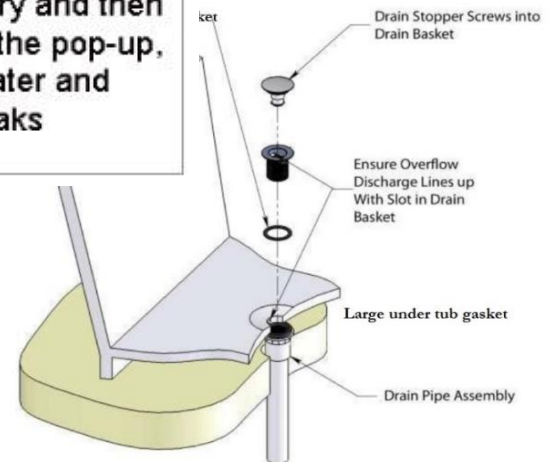


Cut pipe from floor and connect hub. Required height is from Step 1. Apply some caulk to the top flange of the hub to hold the silicon gasket in place. Lift tub over drain.

**Step 3**



Seal the top of the drain basket as noted above. Unscrew pop-up and use a basket wrench to tighten the drain basket into the hub. Allow to dry and then re-attach the pop-up, fill with water and test for leaks



During rough-in, we recommend that the 1 1/2" drain pipe is left 6" above finished floor level before being cut to final size when tub is being installed.

turn page over please



Check that stub out drain pipe is in correct place.

Place tub upside down or on side on blanket and adjust legs even with the tub bottom .

Measure distance from tub drain to tub bottom, usually 4 " to 6 "



Remove the Cap and cam from Drain Basket



Cut drain stub out pipe off at the 4 " to 6 " you just measured.



Place tub over drain pipe. Center in place. Check for wabbles and if needed readjust legs.

Press rolled putty on the drain basket and install drain using a drain wrench while holding the hub. Use gasket !



Mark max distance pipe can go inside hub.



Measure the distance between your mark and bottom of tub. In this example distance is 2.25 "  $4.25-2=2.25$

Cut drain stub out to correct Height less 1/8 Inch. IN this exampale the distance is 2 " prox.



Now you are ready to set the tub;

Use PVC Glue on the drain hub and stub out and place tub onto drain pipe. Do not panic if tub is not lined up perfectly or wabbles on tile floor. If needed loosen the drain basket and turn tub until square with walls etc. If the tub wabbles, remove the drain basket and adjust the leg heights. Reinstall the drain basket and tighten with a drain wrench.